

Method of maintenance

1. Clean the surface of the fan blade and the fan guards (rear & front) with clean cloth or wash it with water.
2. Never wash the main body and motor of the fan with water directly.
3. Never clean the fan with solvent, gasoline, thinner or any other chemicals.
4. Please apply lubricant oil in proper quantity on motor shaft periodically.
5. Use wet cloth to clean the fan blade casing and the surface of the motor cover.
6. Should any abnormal operation occur, switch off the electricity at once if there are any parts or other accessories being damaged particularly AC cord.
7. The appliance is not to be used by persons (including children) with reduced physical, sensory or mental capabilities or lack of experience and knowledge unless they are under supervision or instructions.
8. Children are not allowed to play with the appliance.



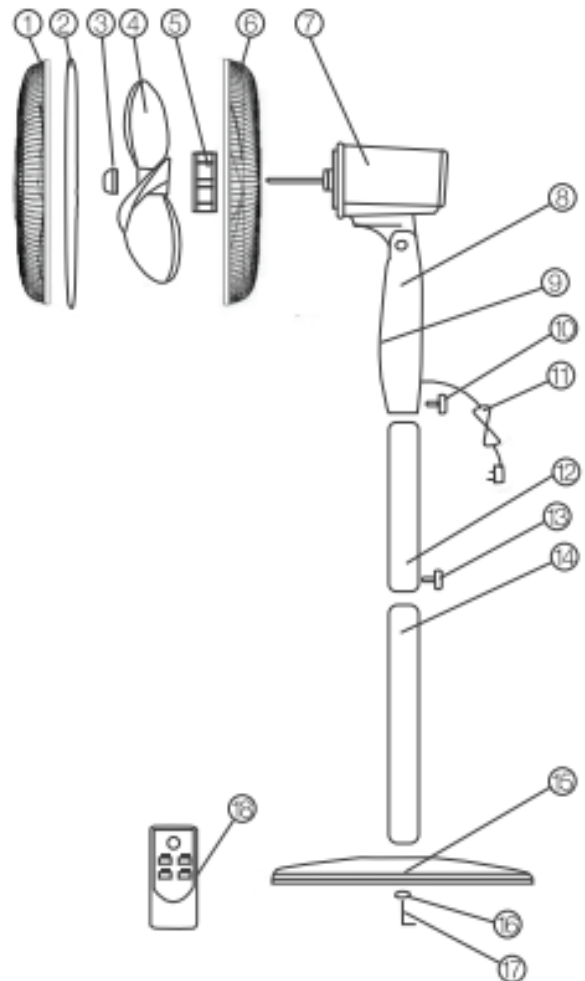
User manual

Thank you for choosing our smart fan. App is based on Smart Life platform, using communication, security, automatic control technologies, integrating the facilities to home life. The aim is to build an efficient management system of residential facilities and family schedule to achieve a smarter living environment. Whenever you turn on your smart phone, you can view and control your devices via the app, which is compatible with IOS and Android systems.

Please read the owner's manual carefully before using this fan!

Name Of Parts :

Item	Components
1	Front Grill
2	Grill Loop
3	Blade Nut
4	Fan Blade
5	Rear Grill Mounting Nut
6	Rear Grill
7	Motor Housing
8	Control body
9	switch
10	Adjustable Pole Tightening knob
11	Power Cord
12	Adjustable Pole
13	Height Adjustment Knob
14	Pillar
15	Base
16	Tin Pad
17	Pillar Tightening Screw
18	Remote

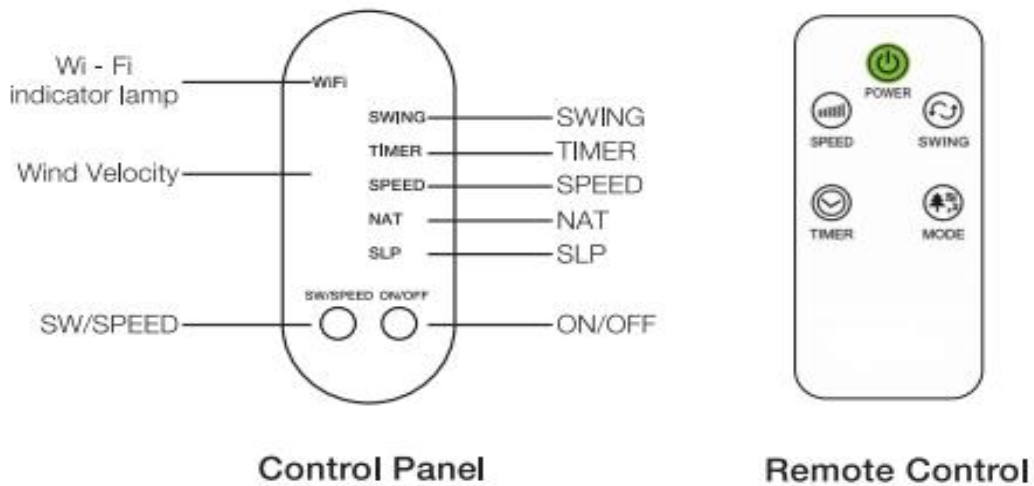


Assembly of the fan grill and blade:

1. Remove the rear grill mounting nut. Place the rear grill onto the motor housing, make sure the handle on the rear grill is up and tighten the rear grill mounting nut.
2. Push the fan blade onto the motor shaft, lining up the blade with the iron stick on the motor shaft's end. Tighten the blade knob by turning it counter clockwise.
3. Hold the front grill and rear grill together and tighten with the grill loop.

Operation:

1. Ensure that the fan in OFF condition.
2. Place the fan on a dry and level surface.
3. Plug the power cord into a grounded AC 230V 50Hz wall outlet.
4. Tilt the fan head to the desired angle or position



5. Power: Turn on or off the fan.
6. Speed / Swing: Press the button to toggle the speed between Low, Mid and High. Press and hold this button the start or stop the fan from oscillating left and right.

Manual control, remote control and App control:

1. Timer: Set timer to run from 1hr to 9hr. Timer can be set toggling the button according to the required timing. This function can only be operated through remote control or app control.
2. Mode: There are 3 featured modes of wind that can be selected. "Normal", Natural', and "Sleep" mode. Toggle this button to select the desired mode.

Cleaning and storage:

9. Be sure fan is in the OFF position.
10. Unplug the fan from the electricity supply.
11. Loosen the front grill fixers to remove the front grill and dismount the screw nut in the front and rear grill.
12. Unscrew the blade knob by turning it clockwise (reverse thread).
13. Pull the fan blade away from the motor housing.
14. Gently wipe the fan blade and grills with a damp cloth.
15. Do not immerse the fan in water and never allow water to enter the motor housing.
16. For storage, disassemble and clean the fan carefully as instructed and store it in the original box. You may leave the fan assembled and covered to protect it from dust. Store the fan in a cool dry place.

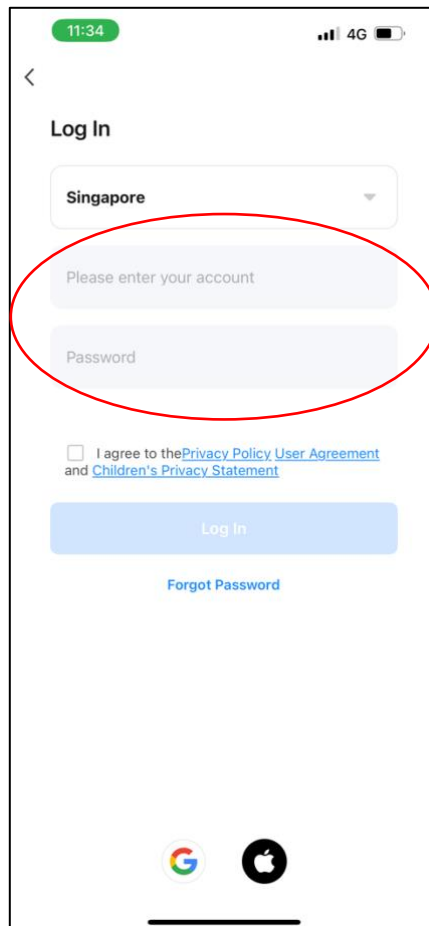
Setting up on mobile app:

1. Make sure smartphone is connected to 2.4GHz wifi.
2. Smartphone or tablet must be Android 4.0 or IOS 8.0 and above.
3. Router to be MAC open.
4. Use phone to scan the QR code or search "Smart Life" on Play Store or App Store to install.
5. Launch the app and sign up for an account with an email. Go to email account to receive verification code and enter into the app when prompted.



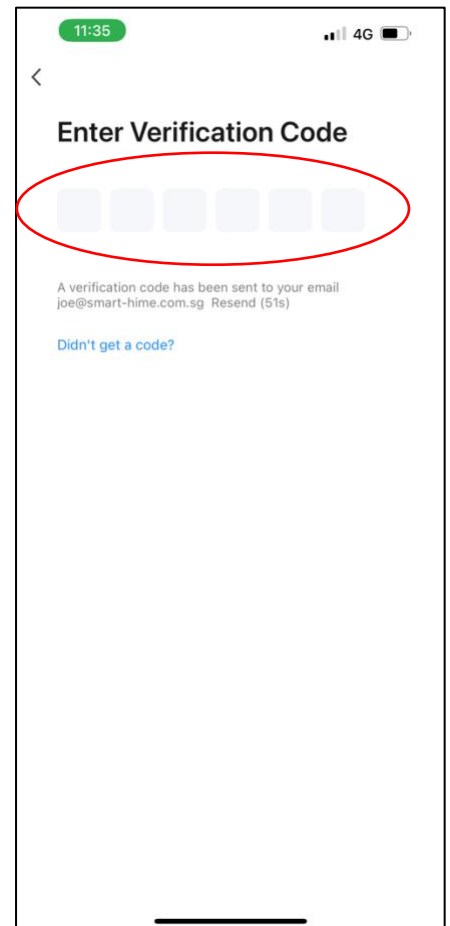
Step 1

Sign up with your email account.



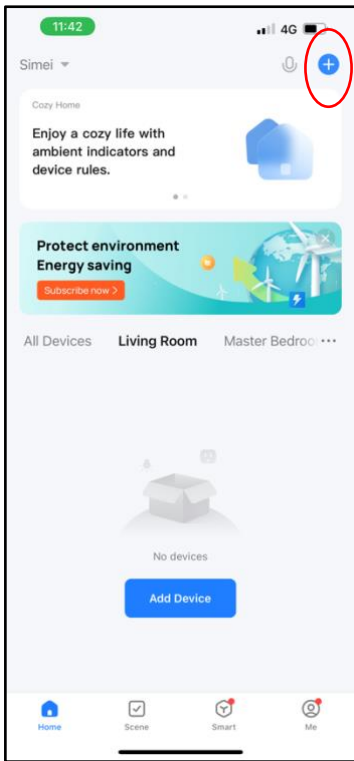
Step 2

Key in details.



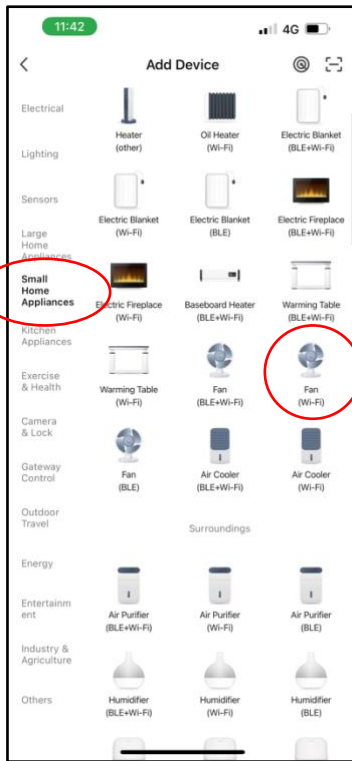
Step 3

Enter verification code sent to email.



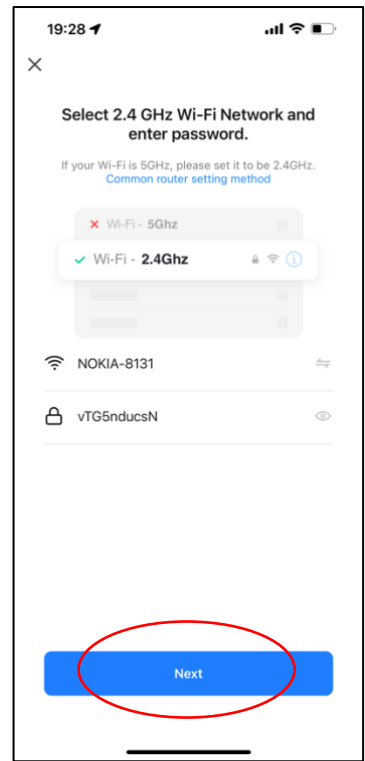
Step 4

Click + at the top right.



Step 5

Select the correct category.



Step 6

Check WIFI network and password and click "Next".

